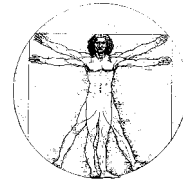


ErgoCESSORIES™

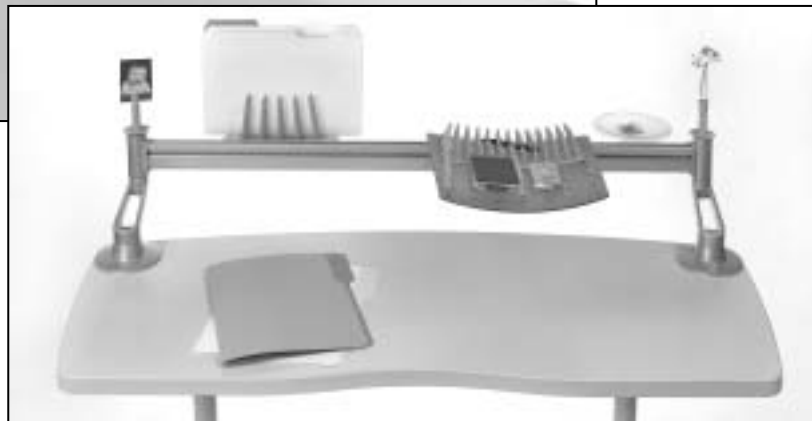
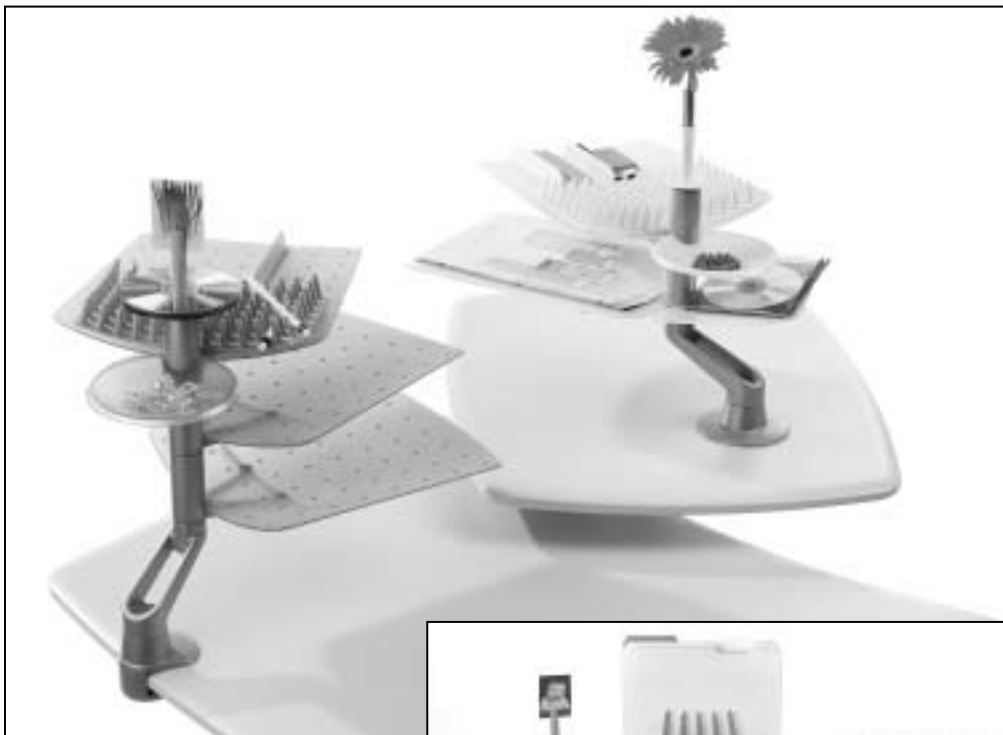
Fine-tune your ergonomic environment

Ergonomic Concepts • 888-204-4600 • Fax 919-553-4436 • www.ergoconcepts.com

by



ERGONOMIC
CONCEPTS®



Specification and Price Guide

Effective 2/1/05

Accessorizing your work environment

ERGONOMIC CONCEPTS

Terms and Conditions

Terms: 2% ten days, net 30 days

Freight: Standard program, FOB Clayton, NC prepaid and add
Ergonomic Concepts will provide freight quotes. The quotes are an estimate only.
Ergonomic Concepts is not responsible for the actual charges over the estimated amount.

Damage Shortages Freight damage and/or shortages are to be claimed by the purchaser. Concealed damage must be reported within 15 days of the receipt of the shipment.

Returns: All products to be returned must be approved by Ergonomic Concepts. A Return Authorization number must be issued prior to the return of product. The product must be returned in its original packaging. A 15% restock charge will apply.

Custom Orders: All custom orders must be quoted on a per order basis. Each order may be subject to special quantities, terms and lead times. Custom orders cannot be cancelled or returned.

Standard Product Cancellation and/or Changes: Cancellations or changes must be made in writing within 24 hours after the receipt of the order by Ergonomic Concepts. Any change or cancellation after this time may be subject to a charge.

ERGONOMIC CONCEPTS, LLC

Limited Lifetime Warranty

This Warranty is for the original retail purchaser only and is non-transferrable.

Ergonomic Concepts will warrant the product to be free from defects in material and workmanship at the time the product is purchased. This warranty does not apply to freight damage, misuse, tampering, improper installation, loss, or normal wear and tear. Ergonomic Concepts will replace with comparable product, free of charge, any product or component which fails as a result of manufactured defect. This warranty only applies to product or repair purchased after October 1, 2003. This warranty is based on single shift usage.

Exceptions to Warranty

Electrical components warranty is five years.

Fabric warranty is one year.

Chair mechanisms and cylinders warranties are one year.

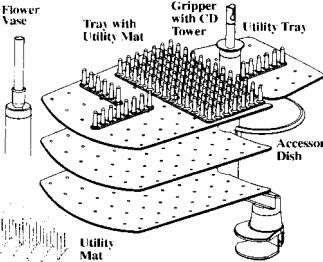
Custom fabrics, components, or finishes are not warranted.

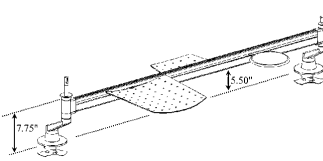
Ergonomic Concepts, LLC

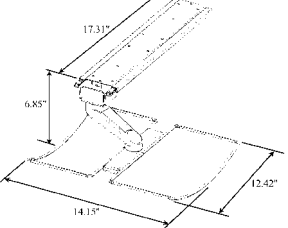
700 West Main Street

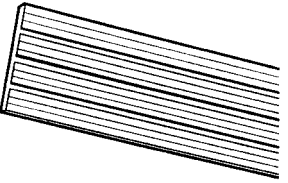
Clayton, North Carolina 27520

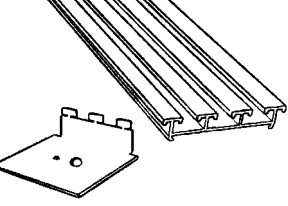
888-204-4600 / 919-553-4436 fax / www.ergoconcepts.com

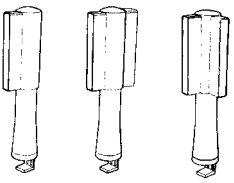
ITEM	DESCRIPTION	COLOR	WT.	PRICE
 ECI-124-FP	Spiral Sorter Personal Desktop Organizer	Frost-Periwinkle	10	\$323.00
ECI-124-SG	Spiral Sorter Personal Desktop Organizer	Smoke-Grey	10	\$323.00
	<ul style="list-style-type: none"> • Clamps on the desk • Five trays • Configuration can be changed • Swivels 360° 			


 ECI-130-FP	Spiral Manager Off-Surface Supply Manager	Frost-Periwinkle	20	\$431.00
ECI-130-SG	Spiral Manager Off-Surface Supply Manager	Smoke-Grey	20	\$431.00
	<ul style="list-style-type: none"> • Clamps on the desk • Configuration can be changed • Comes with two trays, CD holder, flower vase and paperclip tray • Swivels 360° 			

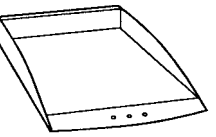
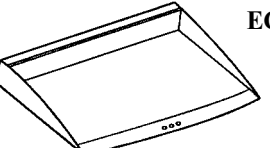
 ECI-122	Spiral File Retractable Filing System		10	\$215.00
--	--	--	----	----------

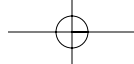
 ECI-140-24	Slatwall 24"	Black	2	\$64.00
ECI-140-36	Slatwall 36"	Black	3	\$75.00
ECI-140-48	Slatwall 48"	Black	4	\$96.00
ECI-140-60	Slatwall 60"	Black	5	\$107.00

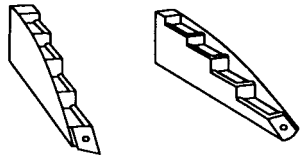
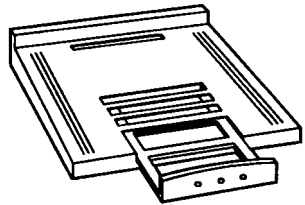
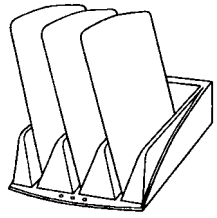
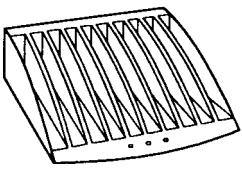

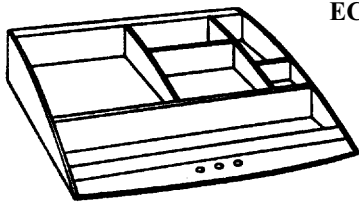
 ECI-140-24-A	Aluminum Slatwall 24" with mounting brackets	Black	5	\$89.00
ECI-140-36-A	Aluminum Slatwall 36" with mounting brackets	Black	5	\$129.00
ECI-140-48-A	Aluminum Slatwall 48" with mounting brackets	Black	5	\$149.00
ECI-140-60-A	Aluminum Slatwall 60" with mounting brackets	Black	5	\$169.00

 ECI-140-END	End Post Clamp Mount, SET OF TWO	Black	5	\$118.00
ECI-140-INL	End Line 180° Post Clamp Mount Single	Black	5	\$64.00
ECI-140-COR	90° Corner Post Clamp Mount Single	Black	5	\$64.00

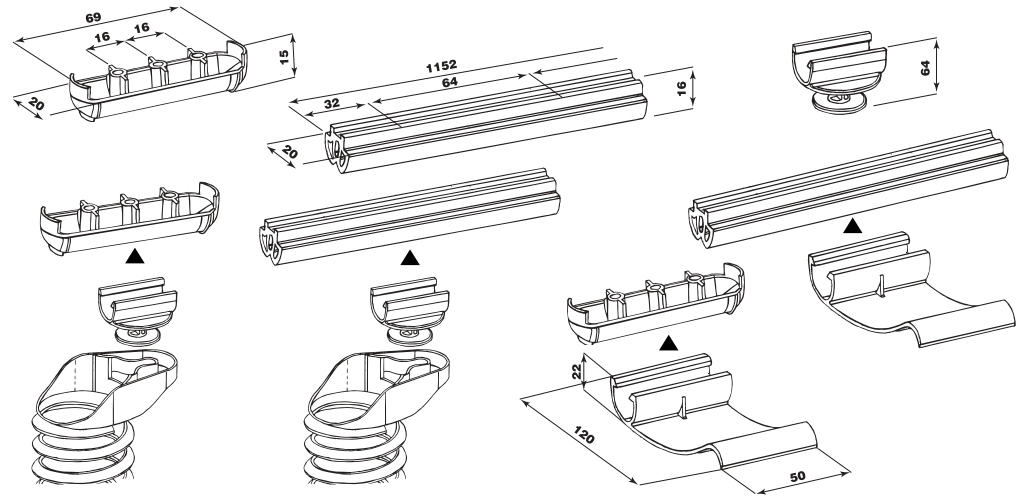
 ECI-140-BH	Binder Holder	Black	1	\$26.00
--	----------------------	-------	---	---------

 ECI-140-LET	Letter Tray	Black	1	\$31.00
 ECI-140-LEG	Legal Tray	Black	1	\$31.00



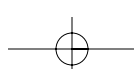
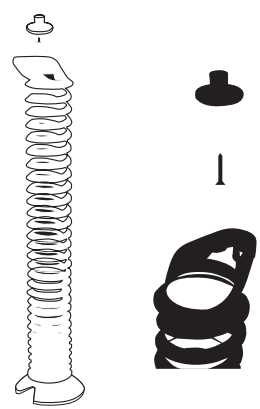
ITEM	DESCRIPTION	COLOR	WT.	PRICE
	ECI-140-FILE File Folder Brackets	Black	1	\$31.00
	ECI-140-PHN Phone Holder	Black	1	\$31.00
	ECI-140-FTR File Folder Tray	Black	1	\$42.00
	ECI-140-CDH CD Tray	Black	1	\$31.00
	ECI-140-PLC Pencil Cup	Black	1	\$21.00
	ECI-140-ACC Accessory Tray	Black	1	\$29.00

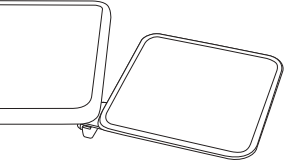
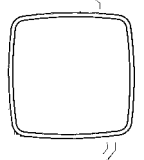
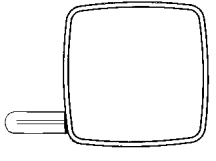
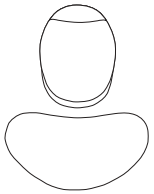
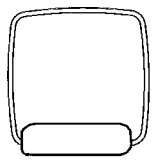
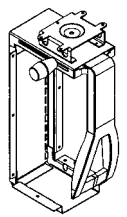
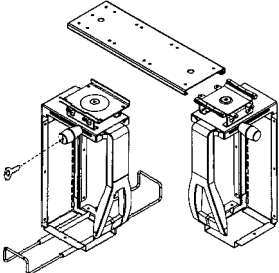
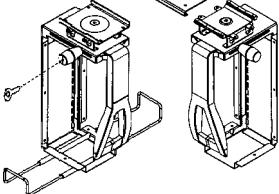
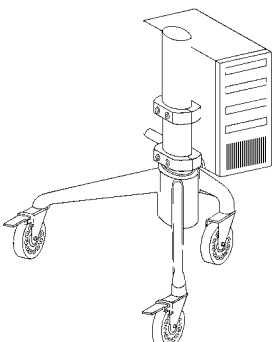
ECI-142 Wire Management System 10 lbs. \$96.00

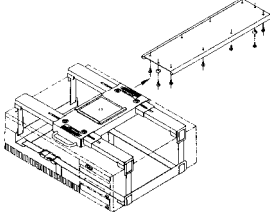
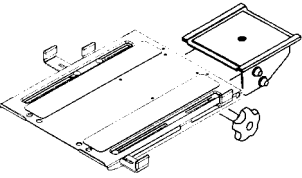
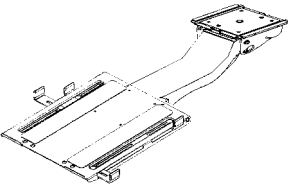
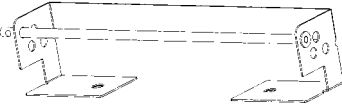
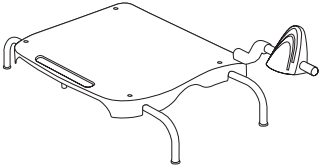


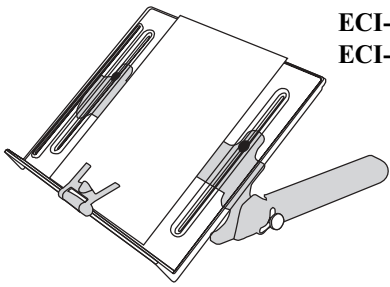
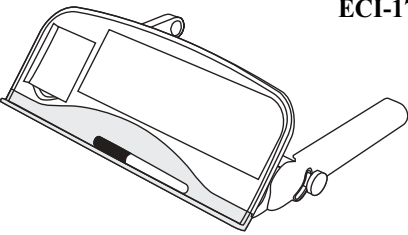

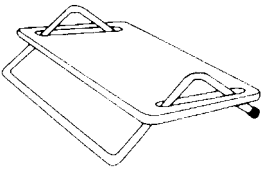
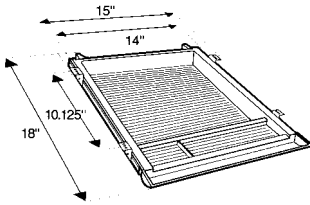
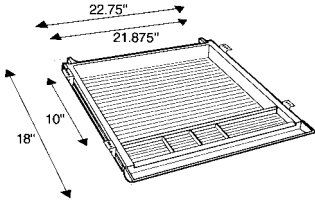
ECI-142-SPB Wire Management Spiral Base

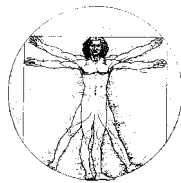
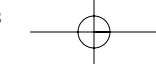
3 lbs. \$85.00



	ITEM	DESCRIPTION	WT.	PRICE
	ECI-200	Pivoting Mouse Pad <ul style="list-style-type: none"> • Bolts to any wood tray, swivels 360°, tilts pos/neg 15° • Edge guard stabilizes mouse, 8" x 8" 	3	\$96.00
	ECI-210	Over Keyboard Pivoting Mouse Pad <ul style="list-style-type: none"> • Bolts to any wood tray, swivels 360°, tilts pos/neg 15° • Edge guard stabilizes mouse, 8" x 8" 	3	\$96.00
	ECI-325	Plug in Pivoting Mouse Pad for the Slim Line Platform <ul style="list-style-type: none"> • Designed for the ECI-750 platform, swivels 360°, tilts pos/neg 15°. • Edge guard stabilizes mouse, 8" x 8" 	6	\$96.00
	ECI-008	Gel Mouse Pad Palm Rest <ul style="list-style-type: none"> • Contoured gel to fit the palm • Designed to be used with all mouse support products or on the worksurface 	1	\$21.00
	ECI-009	Mouse Pad Palm Rest <ul style="list-style-type: none"> • Made with high density foam and fabric • Clips on to most mouse support products, 7" x 2" 	1	\$42.00
	ECI-475	Fixed CPU Holder <ul style="list-style-type: none"> • Width adjustable from 3½" to 9¼", height adjustable from 12½" to 22½" • Bolts under the worksurface or to a vertical surface • Holds up to 85 lbs. 	10	\$172.00
	ECI-500	Pivoting CPU Holder <ul style="list-style-type: none"> • Width adjustable from 3½" to 9¼", height adjustable from 12½" to 22½" • Swivels 360°, retracts under the worksurface • Holds up to 85 lbs. 	12	\$237.00
	ECI-510	Pivoting Locking CPU Holder <ul style="list-style-type: none"> • Same as above, but with locking security option 	12	\$237.00
	ECI-530	Mobile Table CPU Holder <ul style="list-style-type: none"> • Designed to fit the ErgoFlow and ErgoSpider Mobile Tables • Swivels 360°, holds up to 75 lbs. • Adjustable straps to accommodate most CPUs. 	12	\$258.00

ITEM	DESCRIPTION	WT.	PRICE
	<p>ECI-550 Horizontal CPU Holder</p> <ul style="list-style-type: none"> • Stores CPU horizontally under the desk • Track length is 5³/₄" • Swivels 360° • Straps and steel arms are adjustable 	12	\$301.00
	<p>ECI-420 Articulating Notebook Platform</p> <ul style="list-style-type: none"> • Adjusts up/down 5³/₄", tilts pos/neg 15° • The steel platform is 9¹/₄" x 12", with adjustable clamps • Swivels 360° and retracts under the worksurface 	15	\$258.00
	<p>ECI-420-SST Adjustable Notebook with Sit or Stand Articulating Mechanism</p> <ul style="list-style-type: none"> • Adjusts up/down 5³/₄", tilts pos/neg 15° • The steel platform is 9¹/₄" x 12", with adjustable clamps • Swivels 360° and retracts under the worksurface 	16	\$377.00
	<p>ECI-425 Laptop Locking Bracket</p> <ul style="list-style-type: none"> • Designed to bolt on to the ErgoSpider and ErgoFlow Mobile Tables • Adaptable to most laptops, 13" x 13" x 3" • Can be mounted to any worksurface • Comes with a MasterLock® 	5	\$85.00
	<p>ECI-418 Laptop Riser</p> <ul style="list-style-type: none"> • Raises the laptop 3" above the worksurface • Provides storage for keyboard • Space for docking station • Comes with document holder • Holds up to 40 lbs. 	5	\$258.00

ITEM	DESCRIPTION	WT.	PRICE
	ECI-170-14SL Single Page Copy Holder	3	\$139.00
	ECI-170-18SL Double Page Copy Holder	4	\$161.00
	<ul style="list-style-type: none"> • Allows the operator to drop the copy below the worksurface, maintaining good vertical alignment • Copy holder angle and height are adjustable without altering the monitor height • 14SL denotes single page support, 18SL denotes double page support 		
	ECI-172 Multi-task Document Holder	4	\$172.00
	<ul style="list-style-type: none"> • Allows the operator to drop the copy below the worksurface, maintaining good vertical alignment • Copy holder angle and height are adjustable without altering the monitor height • Comes with a white board, note holders and a pen tray 		
	ECI-190 Flat Screen Riser	1	\$11.99
	ECI-192 Monitor Riser with Copy Holder Attachment	2	\$12.99
	<ul style="list-style-type: none"> • ECI-190: 1" high, 13" x 9½", stackable • ECI-192: 2" high, supports up to 50 lbs., stackable, comes with document holder • Black 		
	ECI-275 Footrest	15	\$85.00
	<ul style="list-style-type: none"> • 3" tall • Can be set at different angles • Steel frame with ABS Plastic platform 		
	ECI-245 Thin Line Narrow Pencil Tray	3	\$96.00
	<ul style="list-style-type: none"> • Thin profile, designed to be used in smaller spaces • Ample storage • Ballbearing slides • 18" long x 15" wide x 2" deep • Black 		
	ECI-247 Thin Line Wide Pencil Tray	3	\$118.00
	<ul style="list-style-type: none"> • Thin profile • Ample storage • Ballbearing slides • 18" long x 22¼" wide x 2" deep • Black 		



ERGONOMIC
CONCEPTS®

Ergonomic Concepts, LLC

700 West Main Street
Clayton, North Carolina 27520

888-204-4600 / 919-553-4436 fax

www.ergoconcepts.com

